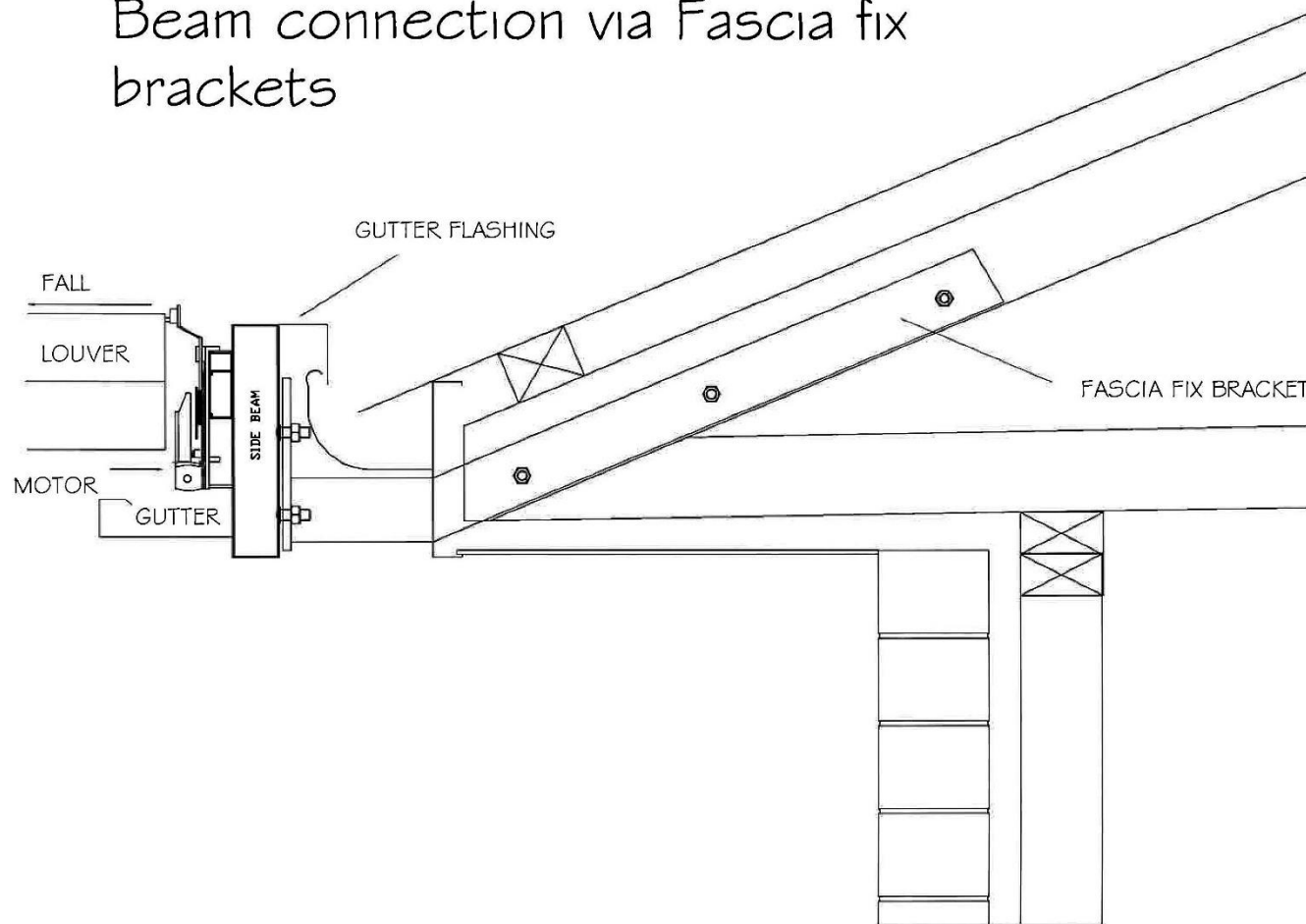




Technical Information Sheet Number 5

Summary: Typical Fascia Fix connection

# Beam connection via Fascia fix brackets



*Note: To be used for general information purposes only.*